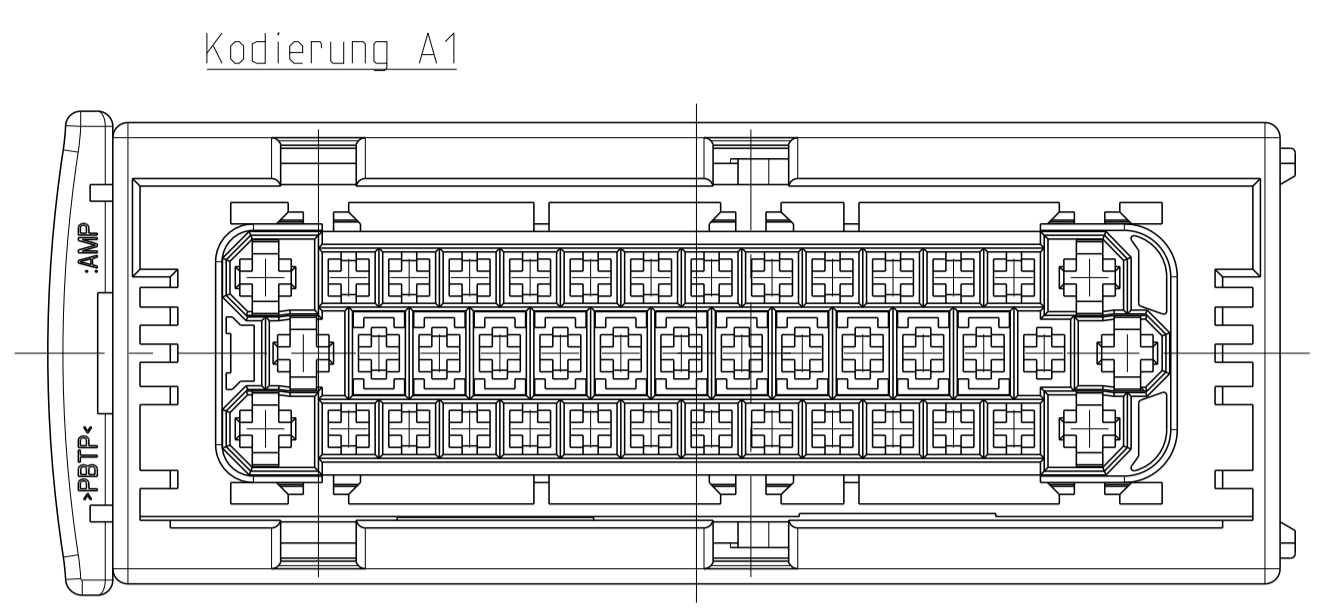
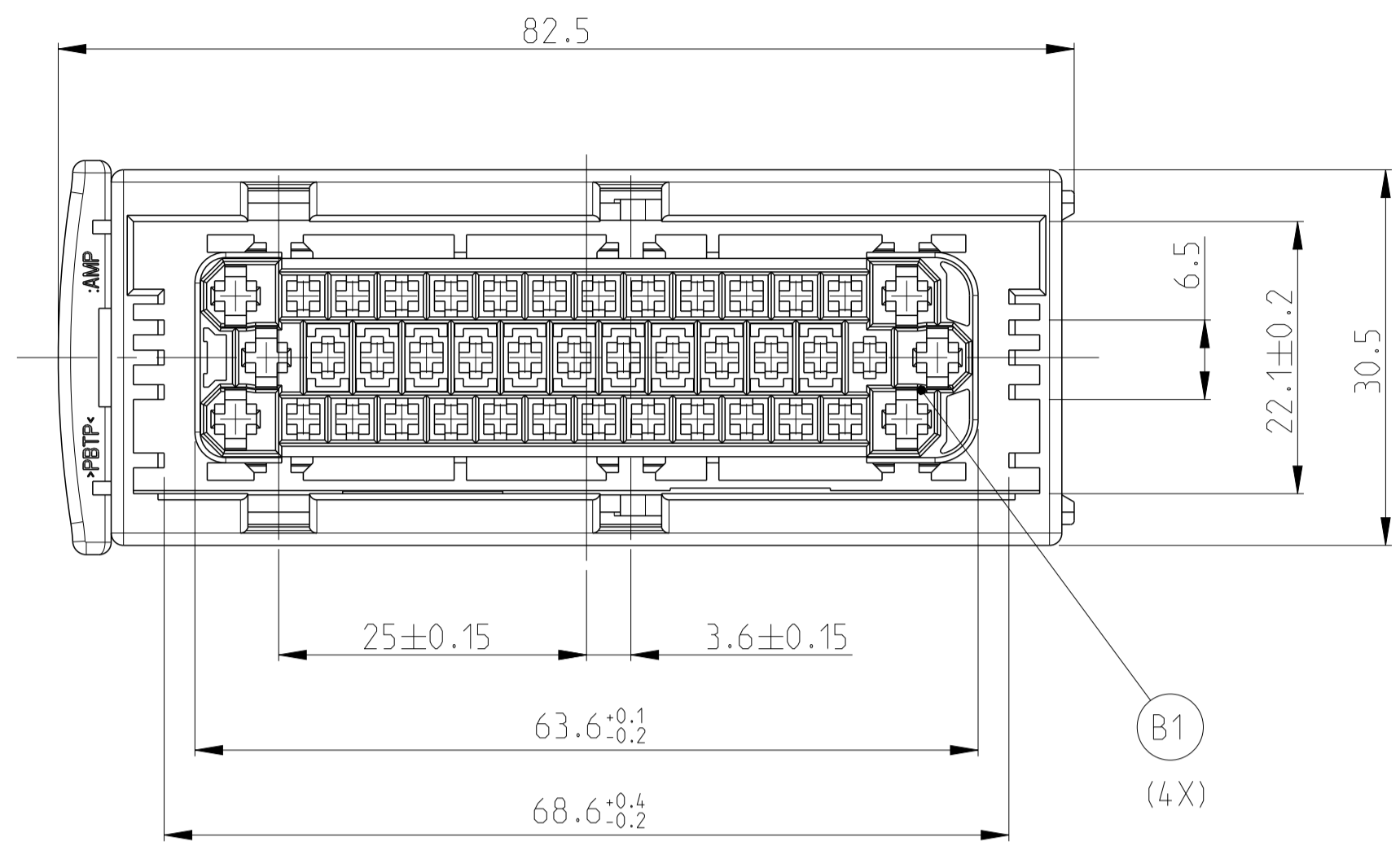
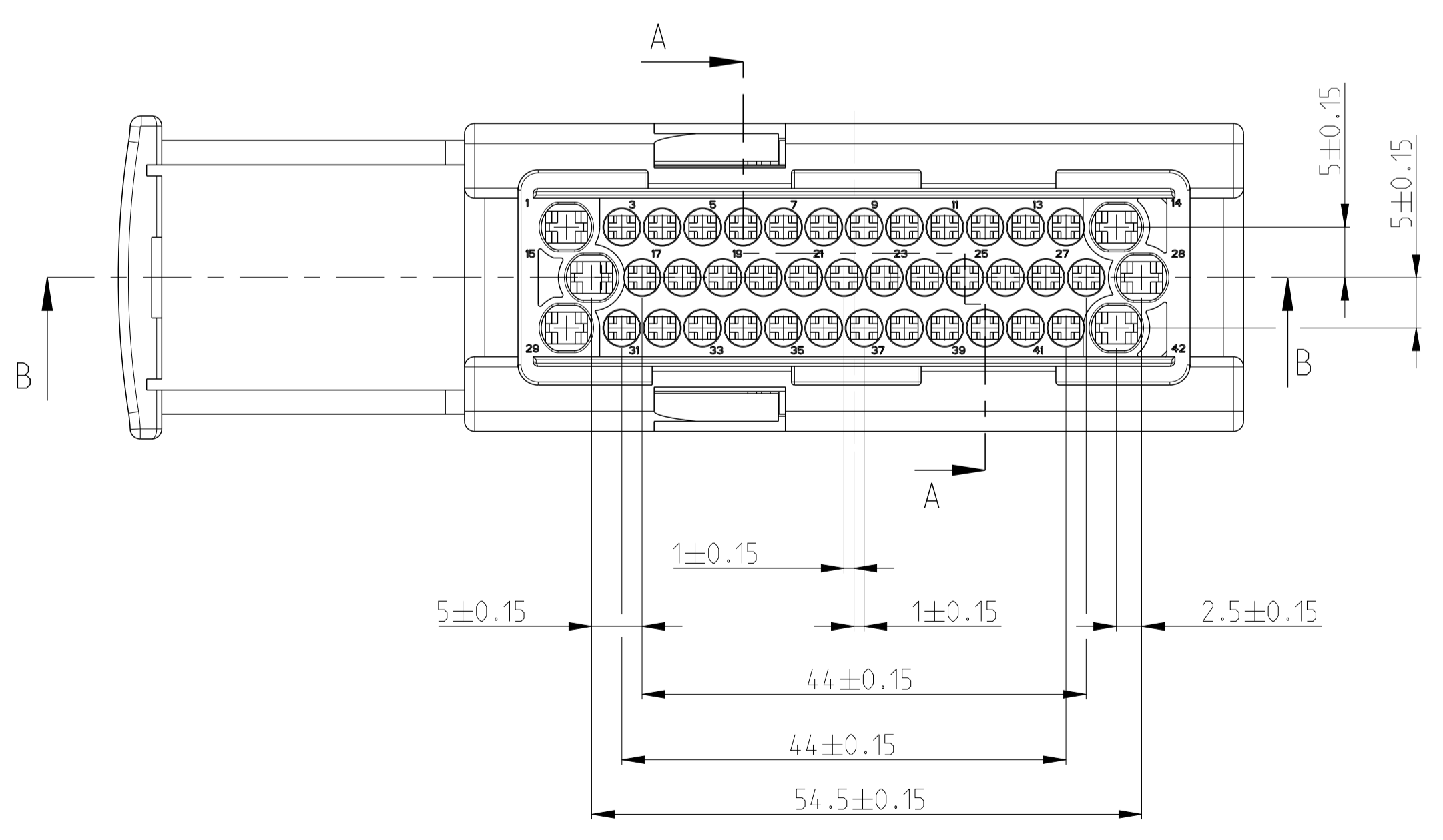
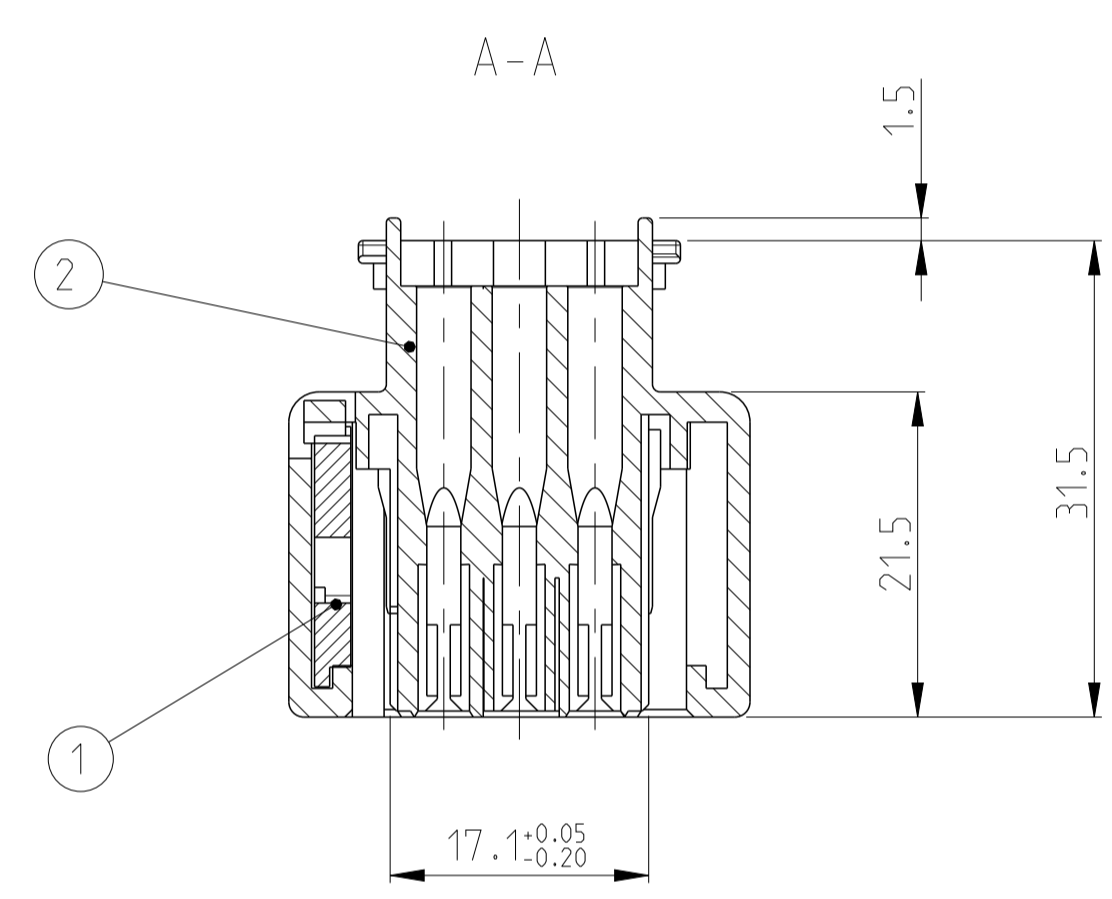
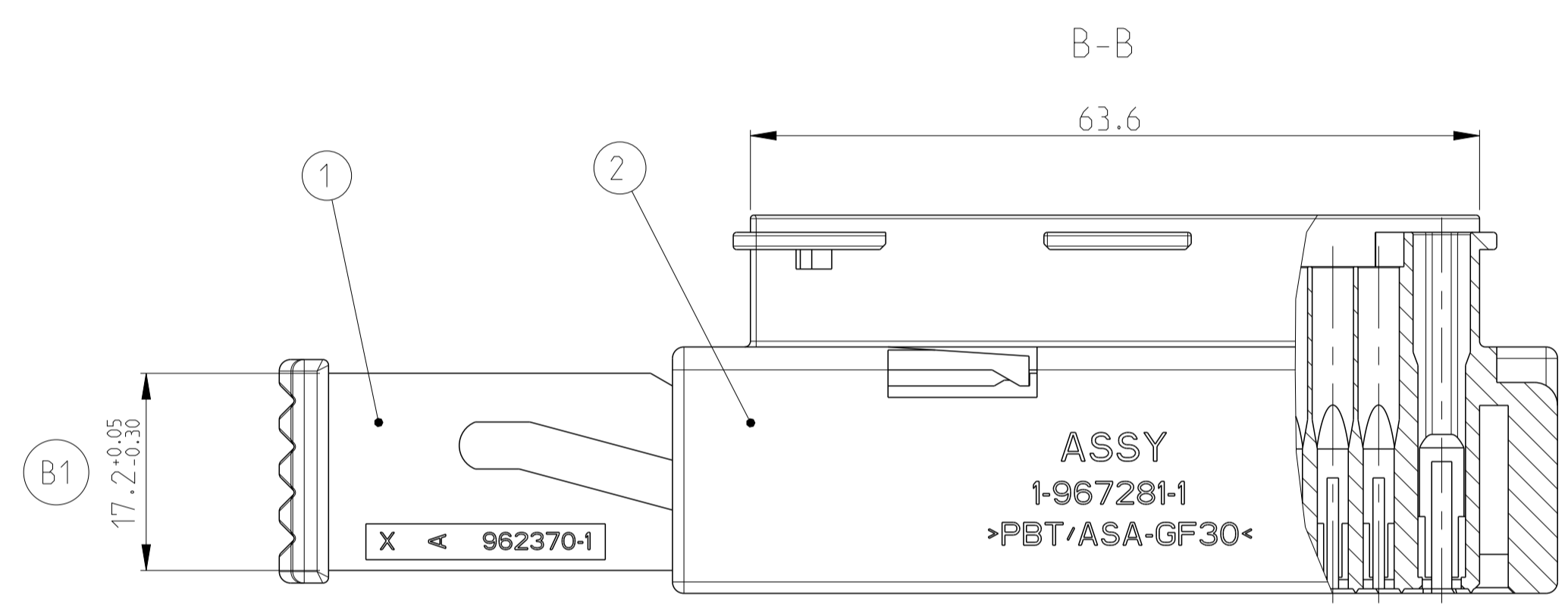


LOC		DIST		REVISIONS			
P	LTN	DESCRIPTION	DATE	DWN	APVD		
B2		REVISED PER ECO-11-005150	28MAR11	RK	HMR		
B3		SEE E-13-004481	12MAR13	SK	RH		



(B3) DELIVERY POSITION
 SLIDE IN CLOSED POSITION
 Anlieferungszustand
 Assy in Endraststellung montiert



1	42POS. REC. HSG. COD. A1	PBT/ASA-GF30	BLACK	2
1	SLIDE FOR 42POS. REC. HSG.	PBT-GF30	RED	1
QTY	DESCRIPTION	MATERIAL	COLOUR	POS
B	ASSY REVISION			
1-...-1	ASSY ORDER			

THIS DRAWING IS A CONTROLLED DOCUMENT. DWN: L. Nguyen 20APR2006, CHK: T. Kilian 21APR2006, APVD: -

TE TE Connectivity

NAME: 42POS. REC. HSG. MT2/JPT. ASS'Y
 42pot. Buchsengehäuse
 MT2/JPT. ZSB.

SIZE: A1, CAGE CODE: 00779, DRAWING NO: 967281, RESTRICTED TO: -

MATERIAL: see table, FINISH: -, WEIGHT: -, SCALE: 2:1, SHEET: 1 OF 1, REV: B3